

HELI



TOP1 FORKLIFT MANUFACTURING AND SALE
IN CHINA CONTINUOUSLY FOR 21 YEARS

2-3.5 ton LPG/DUAL FUEL FORKLIFT

LPG Forklift CPYD20, 25, 30, 35
Dual Fuel Forklift CPQYD20, 25, 30, 35



SERIES Reliable forklift

CHINESE EXPORT BRAND

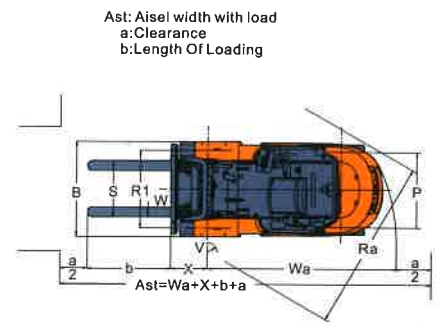
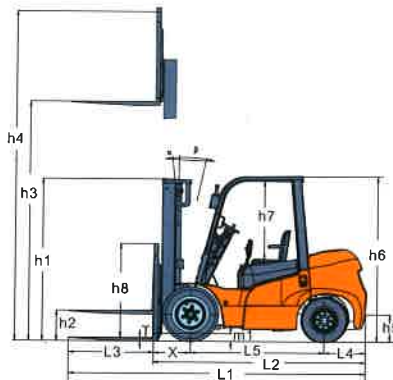
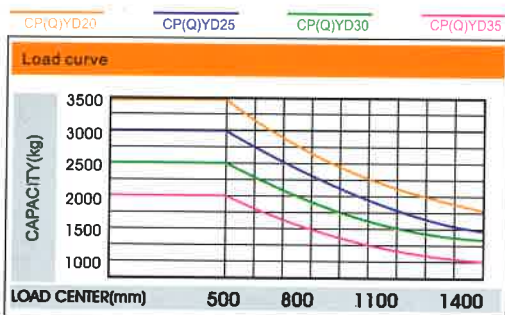
Recommended
By China Chamber of Commerce for Import and Export of Machinery
And Electric Products



LPG/DUAL FUEL 2-3.5 ton 9 SERIES FORKLIFT



Characteristics				HELI			
1	Manufacturer						
2	Model			CP(Q)YD20	CP(Q)YD25	CP(Q)YD30	CP(Q)YD35
3	Power unit			LPG/Dual Fuel			
4	Rated Capacity	Q	kg	2000	2500	3000	3500
5	Load Center	C	mm	500			
6	Operation			Seated			
7	Overall Max.lifting height(with backrest)	h4	mm	4004		4182	4177
8	Max.Lifting height	h3	mm	3000			
9	Free lift height	h2	mm	145		145	150
10	Height mast retracted(upright)	h1	mm	2000	2000	2075	2180
Dimensions							
11	Overall height(overhead guard)	h6	mm	2140	2140	2170	2170
12	Overall length(with forks)	L1	mm	3430	3650	3770	3840
13	Overall length(without forks)	L2	mm	2510	2580	2700	2770
14	Overall width	B	mm	1150	1150	1225	1285
15	Front overhang	X	mm	470	470	475	485
16	Rear overhang	L4	mm	440	510	525	585
17	Wheel base	L5	mm	1600	1600	1700	1700
18	Min.ground clearance under mast	m1	mm	110	110	135	135
19	Tread(front/rear)	R1/P	mm	970/970	970/970	1000/970	1060/970
20	Outside turning radius	Wa	mm	2170	2240	2400	2420
21	Min.intersecting aisle	Ra	mm	2200	2280	2380	2400
22	Tilting angles(forward/backward)	α / β		6° /12°			
23	Fork dimensions(a × b × c)		mm	920 × 100 × 45	1070 × 100 × 45	1070 × 125 × 45	1070 × 125 × 50
Performance							
24	Max. Travelling speeds(With/Without load)	km/h		17/19		18/19	19/19
25	Lifting Speeds(With/Without load)	mm/s		550/600		500/550	450/480
26	Lowering Speeds(With/Without load)	mm/s		450			
27	Max. Draw-bar pull,(With/Without load)	kN		16.4/8.3		14.5/9.8	16.5/9.8
28	Max. Gradeability (laden/unladen)	%		26/20	24/18	23/20	20/18
29	Battery (Voltage/Capacity)	V/Ah		12/60			
30	Tyre Type			Pneumatic			
31	Tyre size(front)			7.00-12-12PR		28 × 9-15-12PR	28 × 9-15-14PR
32	Tyre size(rear)			6.00-9-10PR		6.50-10-10PR	6.50-10-10PR
33	Service Mass	kg		3480	3800	4400	5000
Engine							
34	Internal Combustion Engine Model			Nissan K21		Nissan K25	
35	Internal Combustion Engine Rated Output	kW/rpm		31.2/2250		37.6/2400	
36	Internal Combustion Engine Rated Torque	Nm/rpm		143.7/1600		176.5/1600	
37	Internal Combustion Engine Displacement	L		2.065		2.488	
38	Internal Combustion Engine Fuel Tank Capacity	L		66		70	
39	Transmission Number of speed Fwd/Bwd type			1-1 Power shift			



ANHUI HELI CO., LTD.
 ROAD 15 WEST WANGJIANG ROAD, HEFEI, ANHUI, P.R.CHINA
 TEL (86 551)63639068, 63639258, 63639358
 FAX (86 551)63639966
 WEBSITE <http://www.helichina.com>

* Details of specifications and equipment are based on information available at the time of printing and may change without notice.

AUTHORIZED DEALER