

HELI



TOP1 FORKLIFT MANUFACTURING AND SALE
IN CHINA CONTINUOUSLY FOR 22 YEARS

1-1.8ton
LPG/DUAL FUEL
FORKLIFT

LPG Forklift with Automatic Transmisson CPYD10,15,18
Dual Fuel Forklift with Automatic Transmisson CPQYD10,15,18



SSERIES **Reliable forklift**

CHINESE EXPORT BRAND

Recommended
By China Chamber of Commerce for Import and Export of Machinery
And Electric Products

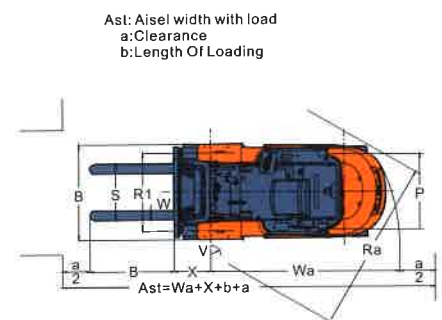
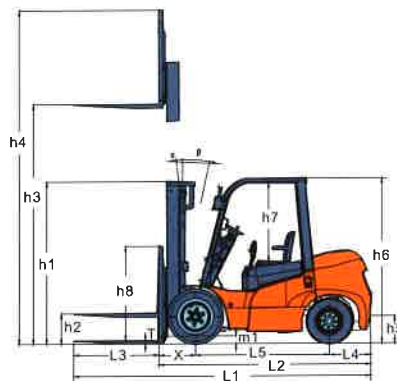
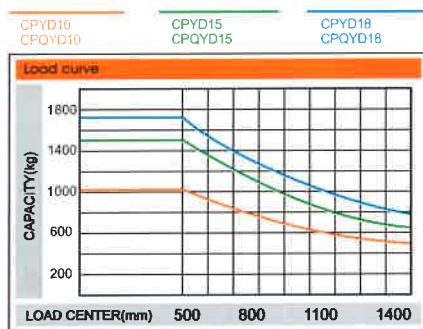


LPG/DUAL FUEL 1-1.8 ton 3 SERIES FORKLIFT



Characteristics						
1	Manufacturer			HELI		
2	Model	LPG Dual Fuel		CPYD10 CPQYD10	CPYD15 CPQYD15	CPYD18 CPQYD18
3	Transmission			1-1 Power Shift		
4	Rated Capacity	Q	kg	1000	1500	1750
5	Load Center	C	mm	500		
6	Operation			Seated		
7	Overall Max.lifting height(with backrest)	h4	mm	4017	4014	4014
8	Max.Lifting height	h3	mm	3000		
9	Free lift height	h2	mm	150	155	155
10	Height mast retracted(upright)	h1	mm	1995	1995	1995
Dimensions						
11	Overall height(overhead guard)	h6	mm	2140	2140	2140
12	Overall length(with forks)	L1	mm	2936	3150	3193
13	Overall length(without forks)	L2	mm	2166	2230	2273
14	Overall width	B	mm	1075	1075	1090
15	Front overhang	X	mm	401	405	408
16	Rear overhang	L4	mm	355	415	455
17	Wheel base	L5	mm	1410	1410	1410
18	Min.ground clearance under mast	m1	mm	110	110	110
19	Tread(front/rear)	R1/P	mm	900/930	900/930	930/930
20	Outside turning radius	Wa	mm	1870	1950	1980
21	Min.intersecting aisle	Ra	mm	1945	2025	2055
22	Tilting angles(forward/backward)	α / β		5° / 10°		
23	Fork dimensions(a×b×c)		mm	770×100×32	920×100×35	920×100×35
Performance						
24	Max. Travelling speeds(With/Without load)		km/h	17/18		
25	Lifting Speeds(With/Without load)		mm/s	590/650		
26	Lowering Speeds(With/Without load)		mm/s	450/550		
27	Max. Draw-bar pull,(With/Without load)		kN	14.2/6.9		
28	Max. Gradeability (laden/unladen)		%	37/22	27/18	24/17
29	Battery (Voltage/Capacity)		V/Ah	12/60		
30	Tyre size(front/rear)			Pneumatic 6.50-10-10PR/5.00-8-8PR		
31	Service Mass		kg	2300	2760	2970
Engine						
32	Internal Combustion Engine Model			Nissan K15		
33	Internal Combustion Engine Rated Output		kW/rpm	23.6/2400		
34	Internal Combustion Engine Rated Torque		Nm/rpm	103/1600		
35	Internal Combustion Engine Displacement		L	1.468		
36	Internal Combustion Engine Fuel Tank Capacity		L	46		

Engine Model and Main Specification for Option				
Internal Combustion Engine Model	Internal Combustion Engine Rated horse power	Internal Combustion Engine Rate torque	Internal Combustion Engine Displacement	Internal Combustion Engine Number of Clinder
NISSAN K21	31.2/2250	143.7/1600	2.065	4



ANHUI HELI CO., LTD.

No.668 Fang Xin Da Dao, Hefei Economic And Development Zone, Anhui P.R. China

TEL:(0086 551)63639068,63639258,63639358,63662105

FAX:(0086 551)63639966

WEBSITE:http://www.helichina.net

* Details of specifications and equipment are based on information available at the time of printing and may change without notice.

AUTHORIZED DEALER