



**1-2.5 ton
AC ELECTRIC
FORKLIFT**

AC 20

HELI

CHINESE EXPORT BRAND

Recommended
By China Chamber of Commerce for Import and Export of Machinery
And Electric Products



AC ELECTRIC
FORKLIFT **1-2.5 ton**

HELI

Newly designed wide-view mast



The newly designed wide-view mast enlarges operators' view effectively and lessens the blind area to provide a clearer vision.

High efficiency loading/unloading performance

The innovative design and configuration of hydraulic system improve the working efficiency largely and provide a very efficient loading/unloading.

↓20%
THE MAXIMUM UNLOADED LIFTING SPEED INCREASES

↓12%
THE MAXIMUM LOADED LIFTING SPEED INCREASES

- ✓ New low-speed & high-torque lifting motor
- ✓ MOSFET lifting controller
- ✓ New dynamic load sensing technology in hydraulic system
- ✓ Optional AC lifting system greatly enhances the loading/unloading performance.



Excellent steering system



The Steering system with new technologies not only provides a smoother swerve and faster positioning & steering, but also effectively lowers down the noise.

- ✓ New integrated load-sensing steering
- ✓ Power Steering
- ✓ New low-noise gear pump with differential tooth technology

Enough operation space

The new optimization layout widens the operator space for ensuring more comfortable and convenient operation.



AC drive motor



The wonderful combination of high-power AC motor and the new style gearbox, by independent R&D fully enhance the performance of acceleration, driving, loading/unloading and grade ability.

- ✓ Large ratio gearbox
- ✓ Motor maintenance
- ✓ Maintain more efficient
- ✓ Renewable energy technologies

1-1.5ton **↓15%** THE MAXIMUM TRAVEL SPEED INCREASES

2-2.5ton **↓11%** THE MAXIMUM TRAVEL SPEED INCREASES

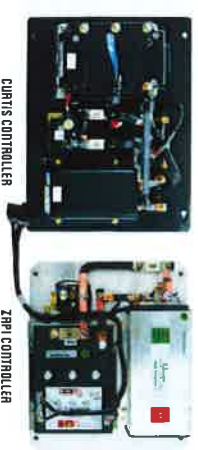
1-1.5ton **↓20%** EFFICIENT PERFORMANCE INCREASES

2-2.5ton **↓50%** EFFICIENT PERFORMANCE INCREASES

The truck equipped with more intelligence functions not only ensures the safety performance, but also improves the efficiency and reduces energy consumption.

- ✓ Standard CAN BUS
- ✓ Self-locking on ramp
- ✓ Preventing idling operation
- ✓ AC traction controller
- ✓ Emergency power shutdown
- ✓ Electric controller self-protecting
- ✓ Presence of driver sensing system
- ✓ Speed selection function (normal/cutback)

More intelligent performance





RC ELECTRIC
FORKLIFT **125** mm



Manufacturers Data and Design Characteristics

Characteristics												
1.01	Manufacturer's Name											
1.02	Model Designation											
1.03	Configuration Number	FJ1	FJ2	FJ1	FJ2	CPD15	CJ1	CJ2	CPD18	CJ2	FJ1	FJ2
1.04	Load Capacity	1000		1500		500		1750		2000		2500
1.05	Load Center	c (mm)										
1.06	Power Type	Battery										
1.07	Operator Type	Seated										
1.08	Wheelbase	1250		1250		1370		1370		1515		1515
Wheels & Tyres												
2.01	Type Type	Pneumatic										
2.02	Tyres Number (Front/Rear)	2/2										
2.03	Tread(centre of tyre),front	950		950		950		950		1000		1000
2.04	Tread(centre of tyre),rear	820		820		6.50-10-10PR		820		950		950
2.05	Type Size, Front	6.50-10-10PR										
2.06	Type Size, Rear	5.00-8-10PR										
Dimensions												
3.01	Load Distance	421		425		428		483		483		483
3.02	Mast Tilt Angle,FR	6/12		6/12		6/12		6/12		6/12		6/12
3.03	Height with Mast Lowered	1895		1895		1895		1895		2000		2000
3.04	Free Lift	155		150		155		170		170		170
3.05	Standard Lift Height	3000		3000		3000		3000		3000		3000
3.06	Height with Mast Extended	4008		4005		4005		4005		3995		3995
3.07	Overhead Guard Height	2130		2130		2160		2160		2190		2130
3.08	Fork Size	32×100×770		35×100×920		35×100×920		35×100×920		45×100×920		45×100×1070
3.09	Fork Carriage to DIN 15173 A/B	2A		2A		2A		2A		2A		2A
3.10	Length to fork face	2006		2040		2130		2153		2398		2398
3.11	Overall Width	1070		1070		1070		1070		1150		1150
3.12	Outside Turning Radius	1800		1820		1930		1960		2065		2065
3.13	Ground Clearance at mast, Loaded	110		110		110		110		140		140
3.14	Ground Clearance at centre of wheelbase, Loaded	125		125		125		125		155		155
3.15	Right Stack, Aisle width (Pallet size 1200x1200mm, clearance 200mm)	3420		3445		3580		3580		3748		3808
3.16	Right Stack, Aisle width (Pallet size 1000x1000mm, clearance 200mm)	3620		3645		3780		3790		3948		3948
Performance												
4.01	Travel Speed with/without load	km/h										
4.02	Lifting Speed with/without load	290/450		270/450		280/530		280/530		280/490		280/490
4.03	Lowering Speed	m/s										
4.04	Gradient Performance with load	18		17		(with load) ≤ 600 (no load) > 300		15		16		15
4.05	Max. draw bar pull with load	7800		8600		8600		9500		12300		12800
4.06	Acceleration time (1.0 metres) W/O load	4.4/4.1		4.5/4.2		4.5/4.2		4.8/4.5		4.8/4.3		5.0/4.6
Weight												
5.01	Total Approximate Weight(W/O battery)	2650		2950		3000		3250		4050		4200
5.02	Axle Loading *, Unloaded,Front/Rear	1200/1450		1330/1620		1360/1640		1450/1800		1820/2230		1900/2300
5.03	Axle Loading *, Loaded,Front/Rear	3285/365		4000/450		4030/470		4500/500		5450/600		6030/670
Battery												
6.01	Battery Voltage(rated capacity/5h)	V/Ah		48/400		48/550		48/600		48/800		48/800
6.02	battery weight	kg		975		1075		1125		1125		1125
6.03	Compartment for Battery Size	617×980×465		727×980×500		727×980×500		525×1050×907		525×1050×907		525×1050×907
Motor & Controller												
7.01	Drive Motor - 80 Min. Rating	kW		7.5(DC)		8.0(AC)		8.0(DC)		11.1(AC)		11.1(AC)
7.02	Pump Motor - 15 Min. Rating											
7.03	Drive Motor Control Method	MOSFET/AC										
7.04	Pump Motor Control Method	MOSFET/DC										
7.05	Service Brake/Parking Brake	Hydraulic/Mechanical										
7.06	Relief Pressure	Mpa		14.5		14.5		14.5		17.5		17.5

WIDE VIEW MAST

Mast model	Max fork height (mm)	Load Capacity (Load centre 500mm) (kg)					Overall Height (mm)		Tilt Angle (F-B)
		CPD10	CPD15	CPD18	CPD20	CPD25	1-1.8t	2-2.5t	
M200	2000	1000	1500	1750	2000	2500	1495	1500	6-12
M250	2500	1000	1500	1750	2000	2500	1745	1800	6-12
M300	3000	1000	1500	1750	2000	2500	1995	2000	6-12
M330	3300	1000	1500	1750	2000	2500	2145	2150	6-12
M350	3500	1000	1500	1750	2000	2500	2245	2250	6-12
M370	3700	1000	1500	1750	2000	2450	2345	2350	6-6
M400	4000	1000	1500	1700	2000	2400	2545	2550	6-6
M425	4250	1000	1400	1650 *1750	1850	2250	2670	2675	6-6 *6-12
M450	4500	950	1350	1550 *1700	1800	2150	2795	2800	6-6 *6-12
M500	5000	930	1000 *1250	1000 *1600	1600 *1700	1600 *2000	3045	3050	6-6 *6-6
M550	5500	900	900 *1150	950 *1500	1500 *1600	1500 *1900	3345	3350	*3-6
M600	6000	600 *850	600 *1050	600 *1400	950 *1500	950 *1800	3595	3600	*3-6

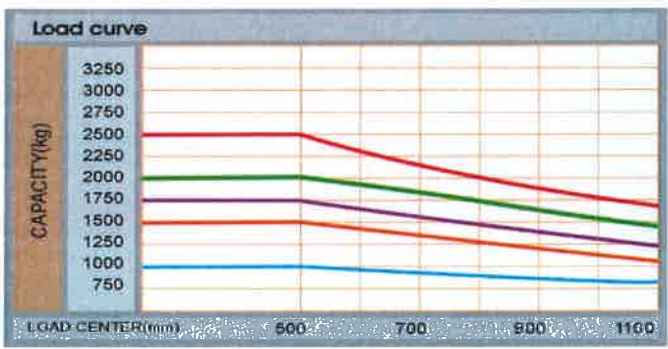
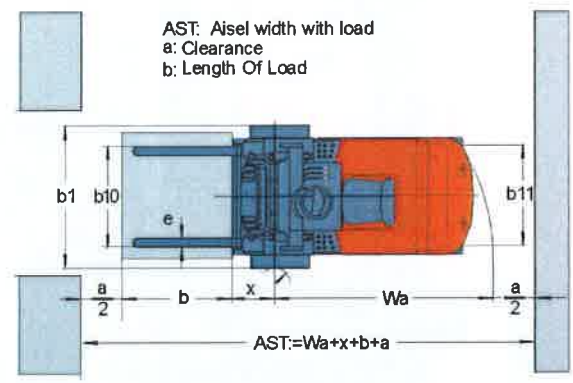
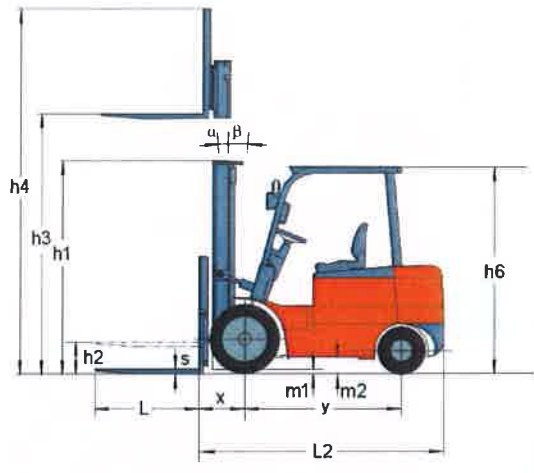
WIDE VIEW FULL FREE 2-STAGE MAST

Mast model	Max fork height (mm)	Load Capacity (Load centre 500mm) (kg)					Overall Height (mm)		Free lift (With STD backrest) (mm)		Tilt Angle (F-B)
		CPD10	CPD15	CPD18	CPD20	CPD25	1-1.8t	2-2.5t	1-1.8t	2-2.5t	
ZM200	2000	1000	1500	1750	2000	2500	1535	1535	490	495	6-12
ZM250	2500	1000	1500	1750	2000	2500	1745	1745	735	745	6-12
ZM300	3000	1000	1500	1750	2000	2500	1995	1995	965	995	6-12
ZM330	3300	1000	1500	1750	2000	2500	2145	2145	1135	1145	6-12
ZM350	3500	1000	1500	1750	2000	2500	2245	2245	1235	1245	6-12
ZM370	3700	1000	1500	1750	2000	2450	2345	2370	1360	1370	6-6
ZM400	4000	1000	1500	1700	2000	2400	2545	2545	1535	1545	6-6
ZM425	4250	1000	1400	1650 *1750	1850	2250	2670	2670	1660	1670	6-6 *6-12
ZM450	4500	950	1350	1550 *1700	1800	2150	2795	2795	1785	1795	6-6 *6-12
ZM500	5000	930	1000 *1250	1000 *1600	1600 *1700	1600 *2000	3045	3045	2035	2045	6-6 *6-6
ZM550	5500	900	900 *1150	950 *1500	1500 *1600	1500 *1900	3345	3345	2335	2345	*3-6
ZM600	6000	600 *850	600 *1050	600 *1400	950 *1500	950 *1800	3595	3595	2585	2595	*3-6

WIDE VIEW FULL FREE 3-STAGE MAST

Mast model	Max fork height (mm)	Load Capacity (Load centre 500mm) (kg)					Overall Height (mm)		Free lift (With STD backrest) (mm)		Tilt Angle (F-B)
		CPD10	CPD15	CPD18	CPD20	CPD25	1-1.8t	2-2.5t	1-1.8t	2-2.5t	
ZSM360	3600	1000	1450	1750	2000	2400	1790	1795	750	755	6-6
ZSM400	4000	1000	1400	1600	1900	2300	1920	1920	860	880	6-6
ZSM435	4350	950	1300	1500 *1700	1850	2200	2040	2045	1000	1005	6-6 *6-6
ZSM450	4500	950	1300	1500 *1650	1750	2100	2090	2095	1050	1055	6-6 *6-6
ZSM470	4700	930	1280	1450 *1600	1720	2000	2160	2160	1120	1120	6-6 *6-6
ZSM480	4800	920	1250	1400 *1580	1700	1950	2190	2195	1150	1155	6-6 *6-6
ZSM500	5000	900	1000 *1200	1000 *1550	1600	1600 *1900	2290	2295	1250	1255	6-6 *6-6
ZSM540	5400	750 *900	800 *1150	800 *1480	1500	1500 *1600	2420	2420	1360	1380	3-6 *3-6
ZSM600	6000	550 *850	550 *1050	550 *1380	950 *1450	950 *1700	2650	2645	1610	1605	3-6 *3-6
ZSM650	6500	800	*1000	*1250	600 *1300	800 *1500	2855	-	1815	-	*3-6

NOTE: (1)* Rated capacity with front dual tires;
 (2)CPD10-18:The free height of full free 2-stage mast without backrest increase 470mm;
 CPD10-18:The free height of full free 3-stage mast without backrest increase 470mm;
 (3)CPD20-25:The free height of full free 2-stage mast without backrest increase 435mm;
 CPD20-25:The free height of full free 3-stage mast without backrest increase 435mm;



1.0t 1.5t 1.8t 2.0t 2.5t

Vertical axle stands for load capacity while horizontal axle stands for load center. Load center is the distance counted from the front of the fork. The base point of the standard load is the center point of the cubic with the same 1000mm dimension in length, width and height. The load capacity should be down, if mask tilts forward, using non-standard forks or loading goods with extra width. Please notice the different load capacity between different load centers according to load chart.



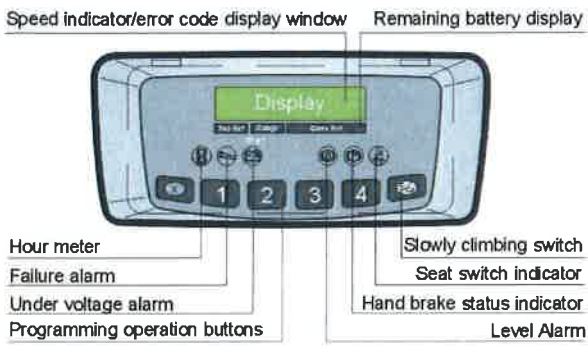
Renewable energy technologies

With the use of the excellent load-sensing steering system and AC controlling renewable energy technologies, the forklift is more energy-saving and the working hour of the battery is extended by 15%.

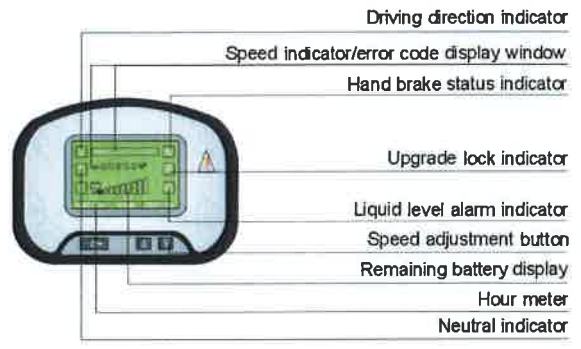
↑ 15%

THE PERFORMANCE OF BATTERY INCREASES

The reliable special instrument gives a complete display of the vital information, like operation status: fault detection, etc. It ensures the operator predominate the vehicle status more intuitive and convenient.



ZAPI Display



CURTIS Display

HELI



1-2.5 ton
AC ELECTRIC
FORKLIFT

STANDARD EQUIPMENT

Mask with wide view
Standard fork
II (III) fork holder
Fork bracket
Control valve
Battery group
Standard seat
Overhead guide
Overhead guide raincoat
LCD compound displayer
Pneumatic tyres
Traction bar
Relevant tools

OPTIONS

Boom
Cab
Load hawk
Load bar
Hinged fork
Back view mirror
Side shifter
Paper roll clamp
Alarm lamp
Solid tyre
Rear work light
Steel protection net
Multi function barrel clamp
Load stabilizer
Widened fork holder
Lengthened fork
Load pusher
Sleeve on fork
Rotating flat clamp
By-tyres protector
Accessory hydraulic component
Tilt/Steering cylinder protection sleeve
Colored tyre (white/green)
Wide view double/triplex mast with full free length
Customer referred color

Kindy, Zhang
Anhui HELI forklifts
15 Wangjiang West Road, Hefei, Anhui, China
Tel: 0086-551-3639068 / 3648005*6805
Fax: 0086-551-3639966
Mobile: 0086 13866750039
SKYPE ID: kindy428
MSN ID: kindy428@hotmail.com
Homepage: www.helichina.com
E-mail: kindy428@gmail.com / heli.kindy@gmail.com / zjd@heliforklift.com



TOP1 FORKLIFT MANUFACTURING AND SALE
IN CHINA CONTINUOUSLY FOR 20 YEARS